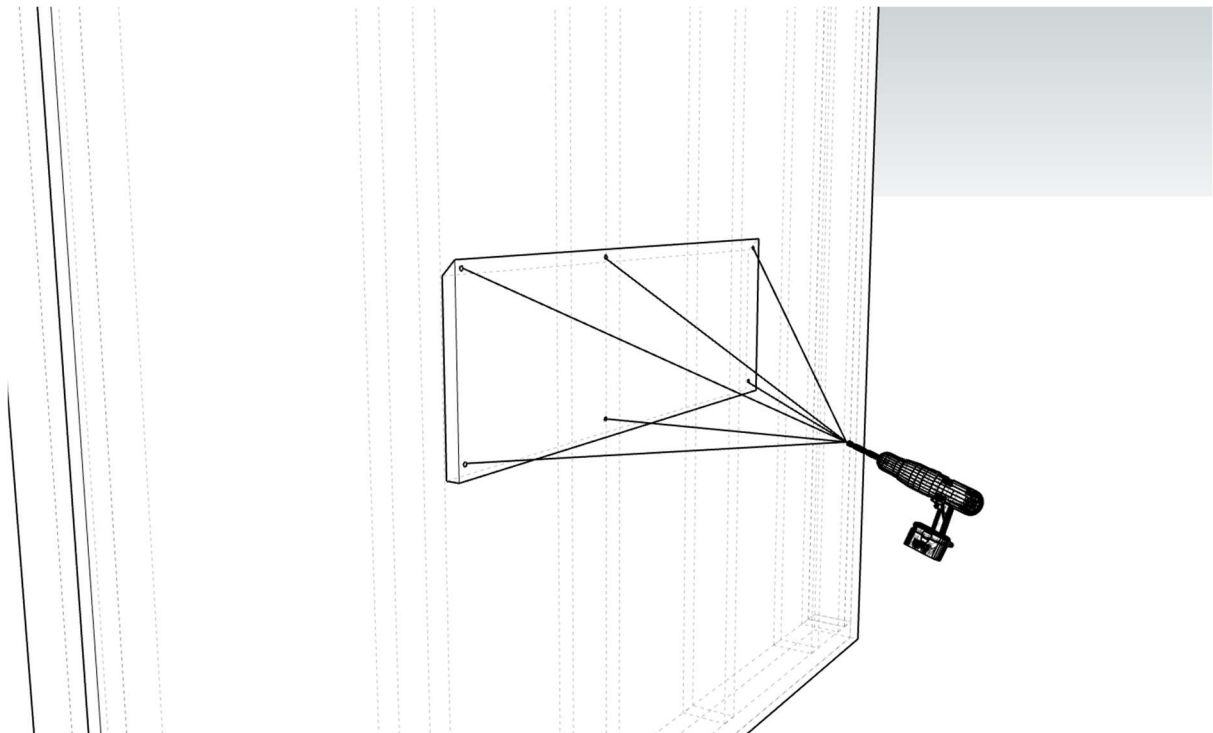


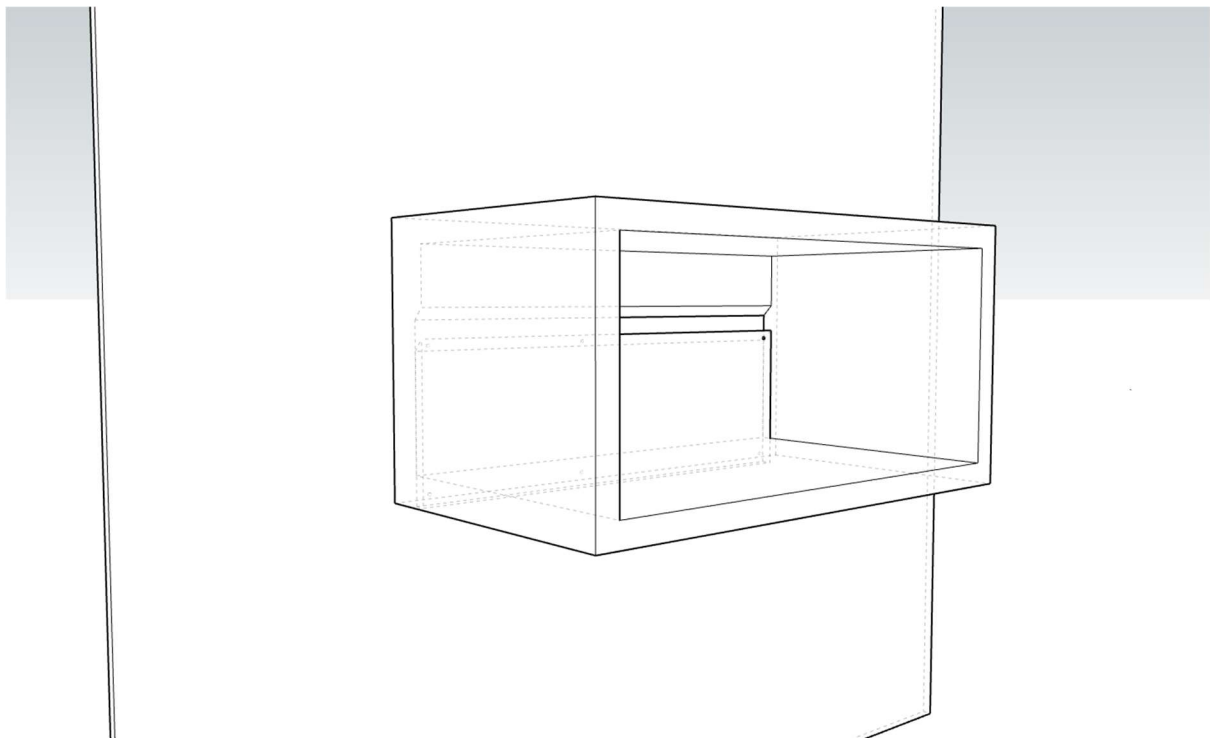
The Woodsmiths Kasten Solid Wood Vanity

We recommend that a qualified tradesperson installs your unit. Prior to installation check that no damage has occurred during transit as our warranty does not cover the cost of removal once installed. The warranty will be null and void if damage occurs during or after installation.

1. Before installing ensure there is sufficient timber support to fasten the vanity. We recommend fixing **after** wall lining. Recommended timber support is 45x90 framing.
2. After locating wall studs, position the loose back panel 100mm below your desired finish height of the vanity and pre-drill holes before fixing. Screw holes at the bottom of the panel should be 25mm up from the bottom to ensure they remain hidden behind the unit base. Top screw holes should be as close as possible to the top without coming through the mitred section to ensure these are as hidden as possible.
3. Screw the back panel into place using the 75mmL screws provided.



4. Lift the vanity over the back panel and slide into the mitred section. The vanity will secure itself in the mitre join.
5. A bead of sealant must be applied to all edges where water penetration may occur. Between vanity and wall and where the sink is. If any cut-outs have been made on-site, the raw timber must be resealed with at least 2 coats of suitable polyurethane sealer. This product can be purchased on The Woodsmiths website.



Enjoy your new solid wood vanity and we would greatly value any feedback and photos! Send to sales@woodsmiths.co.nz

