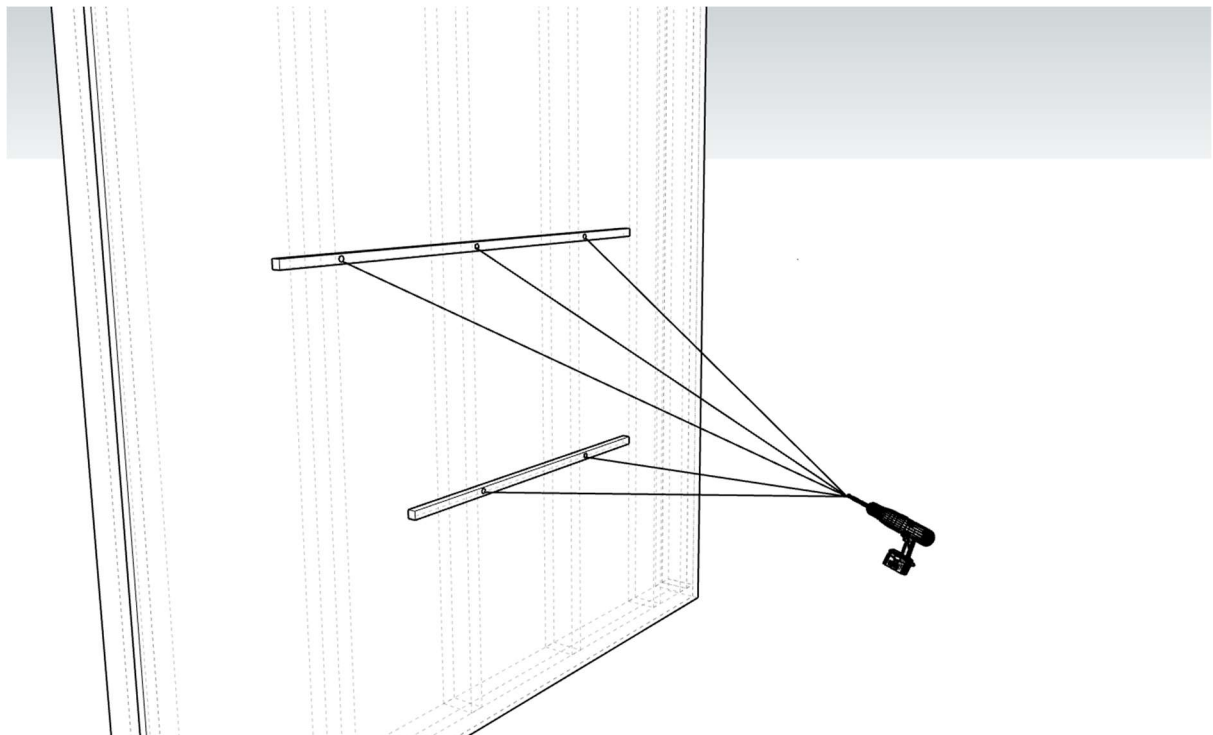


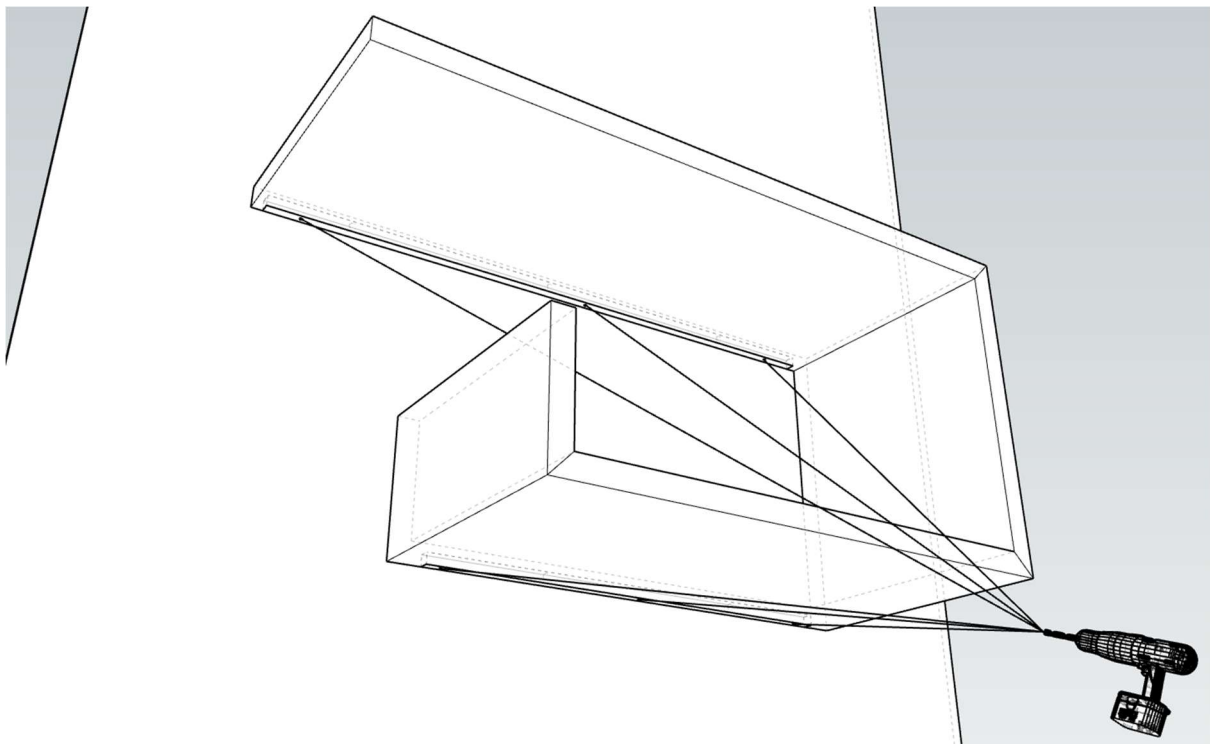
The Woodsmiths Cascade Solid Wood Vanity

We recommend that a qualified tradesperson installs your unit. Prior to installation check that no damage has occurred during transit as our warranty does not cover the cost of removal once installed. The warranty will be null and void if damage occurs after or during installation.

1. Before installing ensure there is sufficient timber support to fasten the vanity. We recommend fixing **after** wall lining. Recommended timber support is 45x90 framing. Requires 3 wall studs for 900L-1200L and 4 studs for larger than this, gib screws may be used for one of these fixings and for additional support if necessary.
2. After locating wall studs position the top one 20mm below the finish height and 60mm to the left of the desired position. Pre-drill and fix into place.
3. Position the bottom cleat so it is aligned with the right side of the top cleat and 560mm down from the top cleat (measure from the bottom of top cleat to bottom of second cleat). Pre-drill and fix into place with 75mmL screw supplied.



4. Place the vanity onto the fixed cleats and ensure the back edge is tight against the wall. Pre-drill holes for fixing through the cleat and into the vanity (3-5 for the top cleat, 3-4 for the bottom)
5. Screw to fix the vanity to the cleats to secure the vanity in place with 32mm screws supplied.
6. A bead of sealant must be applied to all edges where water penetration may occur. Between vanity and wall and where the sink is. If any cut-outs have been made on-site, the raw timber must be resealed with at least 2 coats of a suitable polyurethane sealer. This product can be purchased on The Woodsmiths website.



Enjoy your new solid wood vanity and we would greatly value any feedback and photos! Send to sales@woodsmiths.co.nz

